

RECTANGULAR SYMMETRIC OFFSET – ES

Description:

Offsets are provided with frames made of profiles at the edges and are stiffened with transverse sheet corrugation. Offsets are used for clearing obstacles along the routes of airducts.

Characteristics:

Measurement: DIN 18379

Sheet type: galvanized

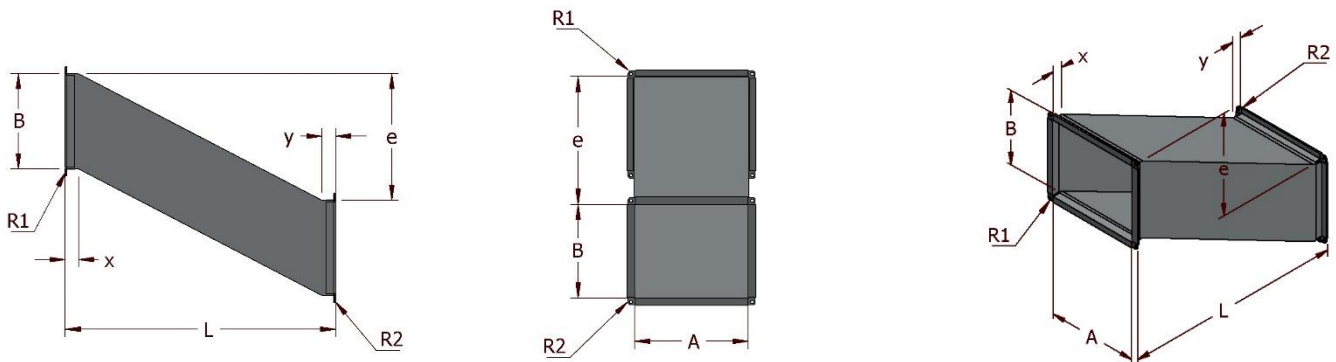
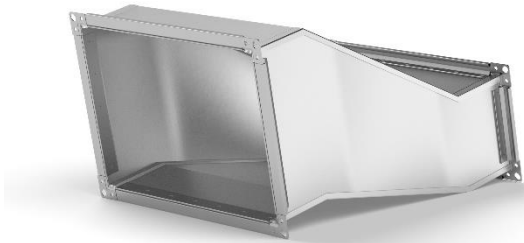
Connection method: seam lock, spot weld

Standard design: $x = 30 \text{ mm}$, $y = 30 \text{ mm}$

Endings: P20, P20 LR, P30, P30 LR, bare end, outward bending

Leakproofness standard: Class A, Class B, Class C

Stiffeners: available in larger dimensions



Sample manufactured element dimensions:

A (mm)	B (mm)	e (mm)	L (mm)	Area (m ²)
200	200	150	500	1.00
300	300	200	500	1.00
400	400	300	500	1.00
500	400	200	500	1.00
600	700	100	500	1.33
700	700	200	600	1.77
800	800	300	700	2.44
1000	1000	300	700	3.05
2000	2000	250	1200	9.81